

2A	UPDATED	MAJ				
1A	UPDATED	MAJ				
P1	-CLONED OFF 3K6 P1	DBH				
REV/ISS	AMENDMENTS	DRAWN	CHKD	D.O.	APVD	DATE

- 1< RX-DET-AF
- 2< RSSI
- 3< BUSY
- 4< SQ-SET
- 6< GND
- 7< /SY-EN
- 8< +5V-ECON
- 9< LCK-DET
- 10< TCXO-MOD
- 11< SY-CLK
- 12< +14V
- 13< SY-DAT
- 14< PWR-SAVE
- 15< +6V-TX
- 16< +6V-TX
- 17< VCO-MOD
- 18< GND
- 19< DGND
- 20< PWR-SET
- 21< +7V2
- 22< +7V2

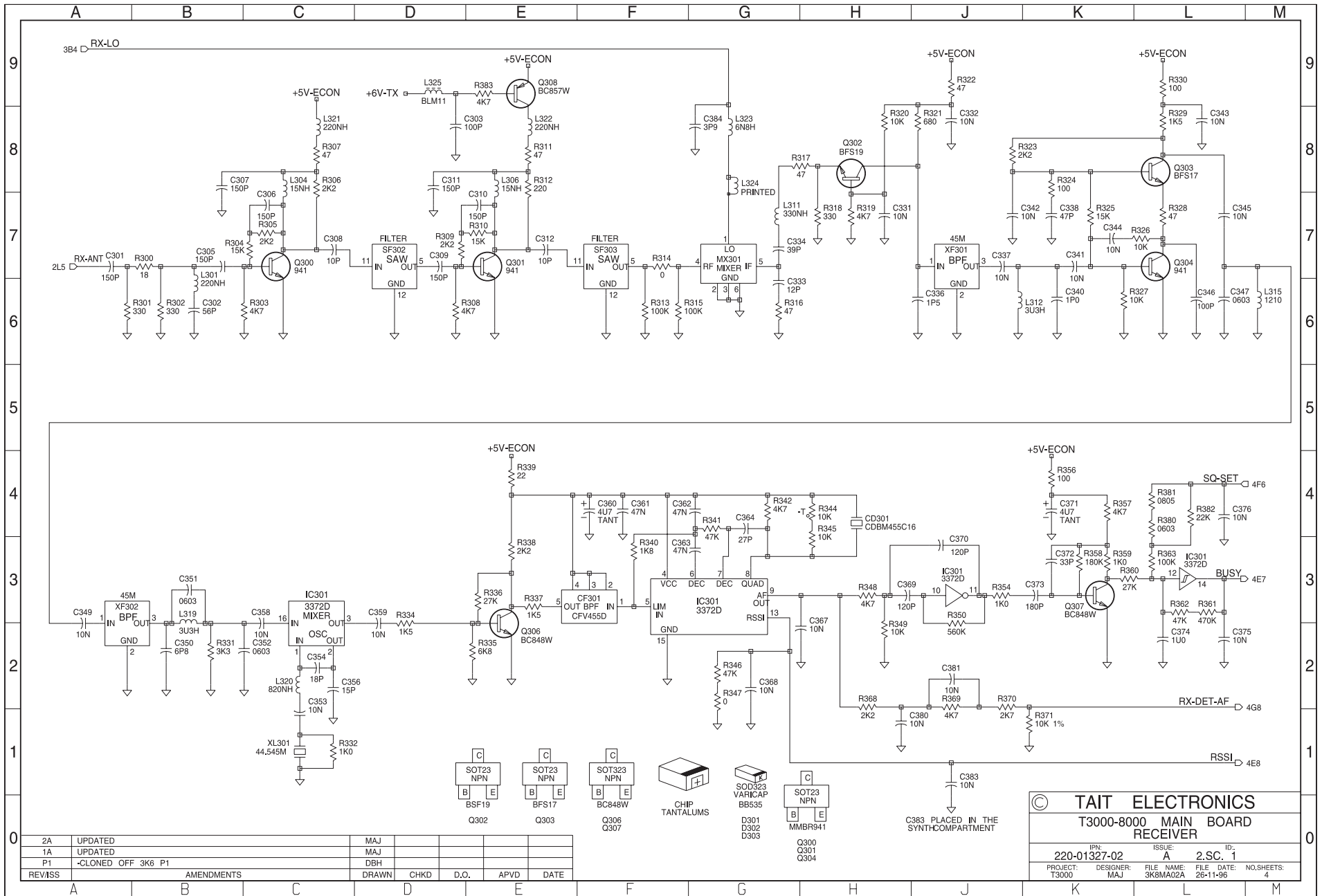
- 1L1 □ RSSI
- 1L3 □ BUSY
- 1L4 □ SQ-SET
- 1L2 □ RX-DET-AF
- 3B9 □ LCK-DET
- 3B5 □ /SY-EN
- 3B7 □ TCXO-MOD
- 3B5 □ SY-CLK
- 3B4 □ SY-DAT
- 3B2 □ PWR-SAVE
- 3B4 □ VCO-MOD
- 2A1 □ PWR-SET

FROM BATTERY PACK (UNSWITCHED)



CHIP TANTALUMS





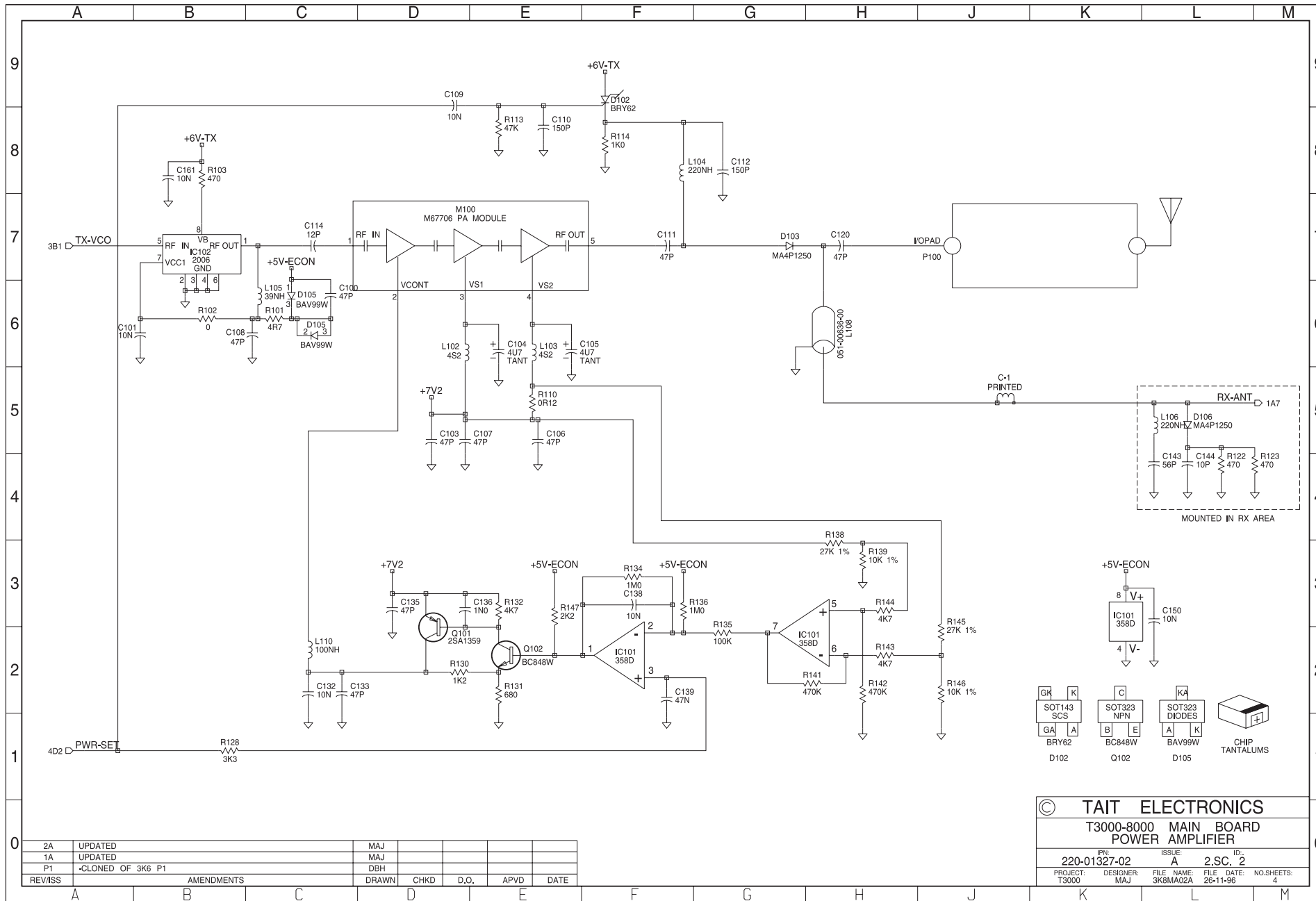
2A	UPDATED	MAJ			
1A	UPDATED	MAJ			
P1	-CLONED OFF 3K6 P1	DBH			
REVISS	AMENDMENTS	DRAWN	CHKD	D.O.	APVD DATE

© TAIT ELECTRONICS  
**T3000-8000 MAIN BOARD RECEIVER**  
 IPN: 220-01327-02    ISSUE: A    ID: 1  
 DESIGNER: MAJ    FILE NAME: 3K6MA02A    FILE DATE: 26-11-96    NO. SHEETS: 4

- SOT23 NPN BSF19 (Q302)
- SOT23 NPN BFS17 (Q303)
- SOT323 NPN BC848W (Q306)
- SOT323 NPN Q307 (Q307)
- CHIP TANTALUMS
- SOD323 VARICAP BB535 (D301, D302, D303)
- SOT23 NPN MMBR941 (Q300, Q301, Q304)

C383 PLACED IN THE SYNTHCOMPARTMENT





- |        |     |
|--------|-----|
| GR     | K   |
| SOT143 | SCS |
| GA     | A   |

BRY62
- |        |     |
|--------|-----|
| C      |     |
| SOT323 | NPN |
| B      | E   |

BC848W
- |        |        |
|--------|--------|
| KA     |        |
| SOT323 | DIODES |
| A      | K      |

BAV99W
- CHP TANTALUMS

© TAIT ELECTRONICS

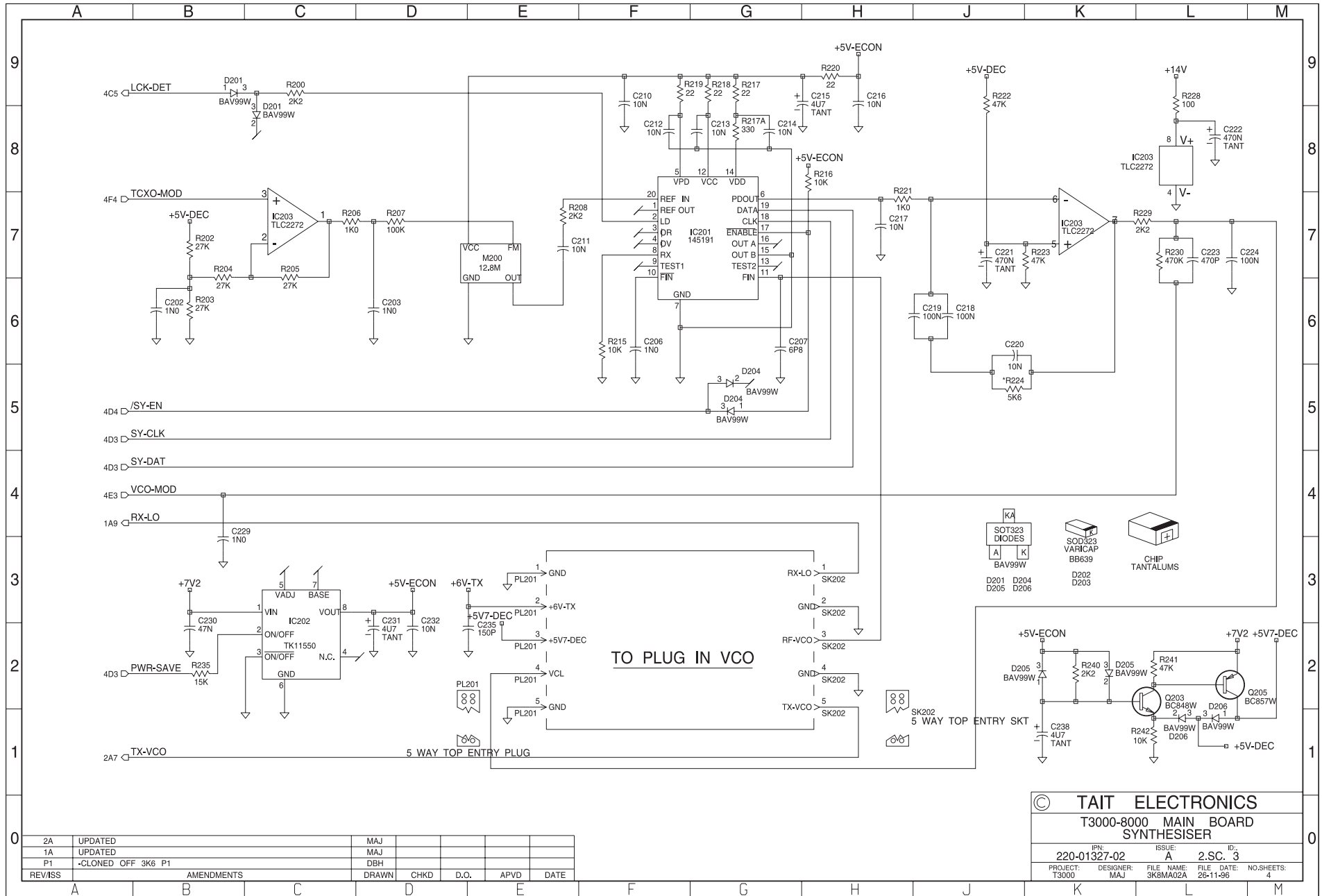
T3000-8000 MAIN BOARD  
POWER AMPLIFIER

IPN: 220-01327-02    ISSUE: A    ID: 2.S.C. 2

PROJECT: T3000    DESIGNER: MAJ    FILE NAME: 3K8MA02A    FILE DATE: 26-11-96    NO. SHEETS: 4

2A	UPDATED	MAJ				
1A	UPDATED	MAJ				
P1	-CLONED OF 3K6 P1	DBH				
REVISS	AMENDMENTS	DRAWN	CHKD	D.O.	APVD	DATE





2A	UPDATED	MAJ			
1A	UPDATED	MAJ			
P1	-CLONED OFF 3K6 P1	DBH			
REV/ISS	AMENDMENTS	DRAWN	CHKD	D.O.	APVD DATE

© TAIT ELECTRONICS					
T3000-8000 MAIN BOARD SYNTHESISER					
IPN: 220-01327-02		ISSUE: A		ID: 2.SC. 3	
PROJECT: T3000	DESIGNER: MAJ	FILE NAME: 3K8MA02A	FILE DATE: 26-11-96	NO. SHEETS: 4	

